

平膜型陶瓷压力传感器

FLUSH MEMBRANE PRESSURE SENSOR

OCS18 1.000 bar

◆ Technology 技术 : **Thick Film Strain Gage On Ceramic 陶瓷厚膜印刷**

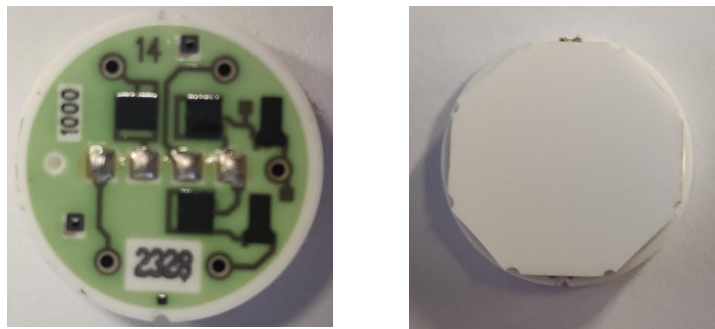
Sealed gage pressure measurement 密封压测量

Membrane material 感压膜片材料: high purity Al₂O₃ >99% 高纯度三氧化二铝

Operating temperature range 使用温度 - 40 up to + 135°C 使用温度

High reliability 高可靠性 + Excellent long term stability 卓越的长期稳定性

OCS18 1000



18 mm 直径 Diameter - 0...1000 bar

The OCS18 1.000 sensor is fully **Temperature Compensated 全温区补偿**.

The ceramic high purity alumina diaphragm, **inert and chemically neutral**, can be in direct contact with all fluids, even very aggressive, without additional separator device.

高纯度三氧化二铝惰性和中性化学材料，能直接接触各种介质，包括腐蚀性介质无需另外的器件保护。

Mechanical specification:

MODEL 型号	Rated range 量程		Full Scale Output Signal 满量程输出信号		Burst pressure 破坏压力
	MPa	Bar	Min mV/V	Max mV/V	Bar
OCS18-107	0..100	0..1000	2.35	2.6	>1500 (static)

Combined Error (Linearity 线性 + Hysteresis 迟滞) < ± 0.4% FSO [Terminal based 端点线性度]

Repeatability 重复性 < ± 0.1% FSO

RoHS Compliant
Directive 2002/95/EC

平膜型陶瓷压力传感器
FLUSH MEMBRANE PRESSURE SENSOR
OCS18 1.000 bar

(Continued)

Electrical specification 电气参数:

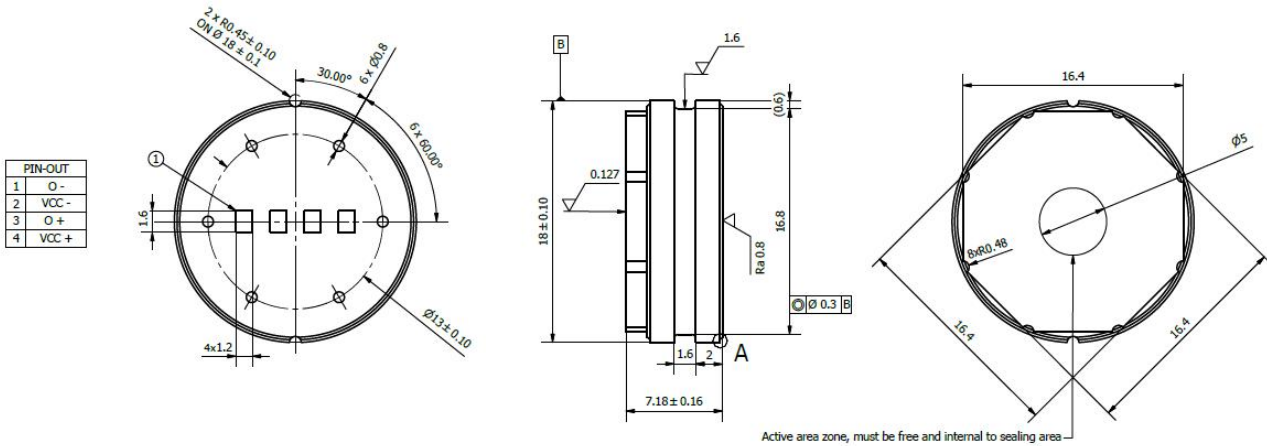
▣ **PRESSURE**

- Bridge Excitation Voltage 供电电压 30 Vdc max
- Input & Output Impedance 输入输出阻抗 11 KΩ ± 30%
- Initial zero unbalance 零点偏差 ≤ ± 0.05 mV/V (*)
- Dielectric strength 电气强度 > 2 kV
- Zero point Long Term stability @ 25°C 零点长期稳定性 ± 0.2% FSO (not cumulative versus time)
- Zero point High Temp Drift 1000 hrs @ 150°C 零点高温漂移 < 1.0% FSO

Environmental specification 环境参数:

- Material in contact with fluid 陶瓷膜片材料 Alumina Al₂O₃ →99%
- Operating Temperature Range 使用温度 - 40 up to + 135°C
- Storage Temperature 储藏温度 - 50 up to + 150°C
- Residual Temperature Effect 温漂(Zero 零点和 Span 满度) ≤ ± 5% FSO / 100°C
- Humidity range 湿度 <95%RH (no condensation)

Dimensions (mm)尺寸:



External groove for secondary sealing 带附加外侧密封槽供客户使用

◆ **ORDERING CODE : OCS18 107 - x**

Range in Pascal 量程 ↑ ↑
 2 significant digits + multiplier

Output connection 输出定义:

- 0 tinned pads 锡焊盘
- 1 male pins h=8.0±0.5mm 引针
- 2 other on request 其他